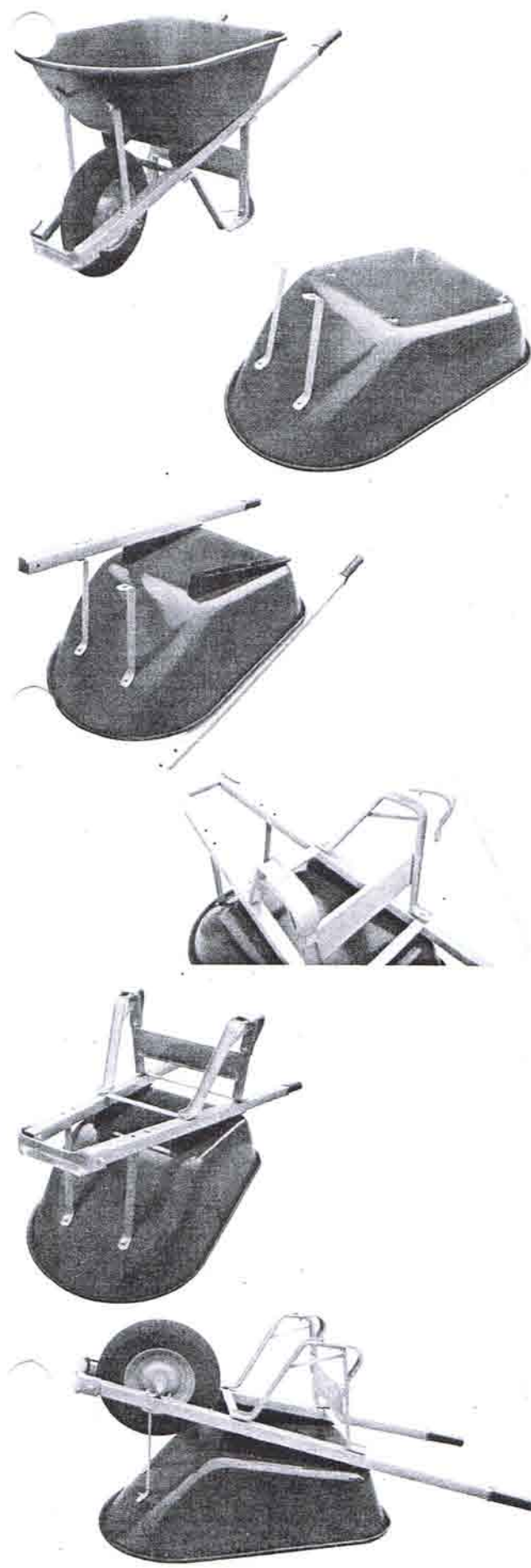


6.0 Cube Heavy Duty Steel Tray Wheel Barrow



Tools required: two adjustable wrenches or preferably a 14mm (metric) socket wrench with an extension, a 14mm closed end wrench and an adjustable wrench. slotted screwdriver



Place tub upside down onto a table or stand and put the tub carriage bolts from the inside of the tub upward through the square tub holes and push the black rubber or plastic washers over the threads of the bolts on the underside of the tub. (Washers will hold carriage bolts upright with the tub in the upside down position).

Attach the tray brace to the front of the tub using the short carriage bolts. Place the wedges and handles over the upright positioned carriage bolts.

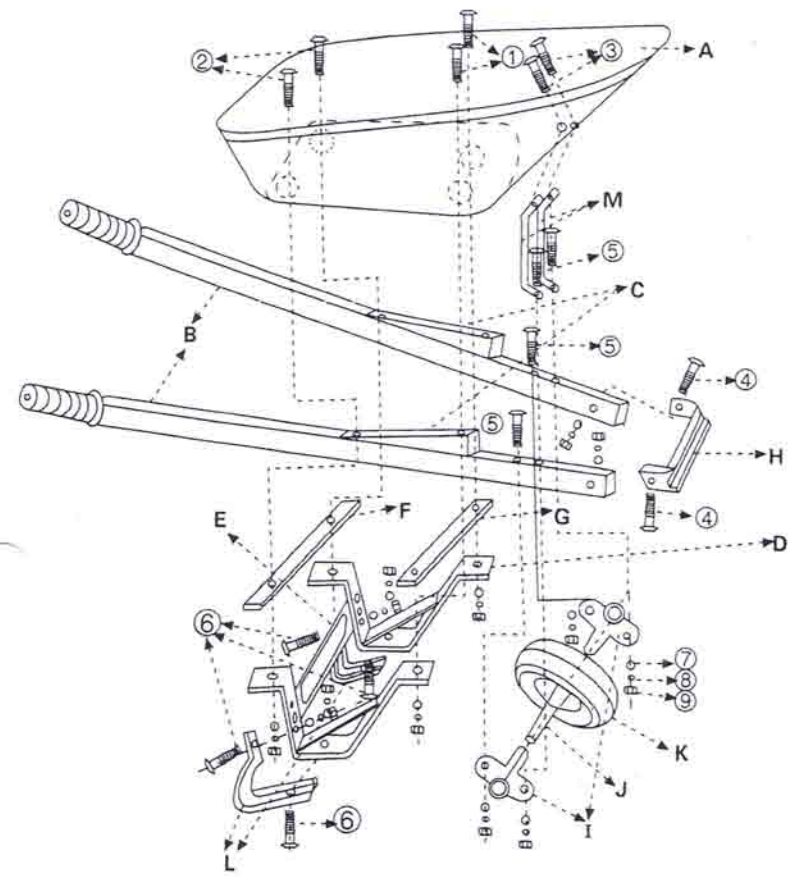
Attach the wider back stand brace onto the rear side of the stands (legs).

Place short and long cross braces over carriage bolts followed by the leg stand assembly onto the handle. Tighten all bolts loosely and if necessary apply pressure to the heads of the carriage bolts to keep them into square holes of tub while the lock nuts are being turned. Fasten front nose guard tightly to the front of the handles.

Wheel Assembly: The wheel assembly is put together by placing the axle through the hub of the wheel and then place the two axle brackets.

Center wheel assembly between the handles with axle brackets snug against the hub bushings and attach assembly to the handles. Secure the tray brace to the handles with the bolts that secure the front of the axle brackets

Tighten all bolts and inflate tube tire models to prescribed pressure.



Parts List		
	Description	Qty
A	6 cuft tray	1
B	Steel Handles	2
C	Wedges	2
D	Legs	2
E	Leg Brace	1
F	Long cross brace	1
G	Short cross brace	1
H	Nose Guard	1
I	Axle Brackets	2
J	Axle	1
K	Wheel	1
L	Leg support	2
M	Tray Brace	2
N	HARDWARE BAG	1

①	BOLT M0.3"X5"=2 pcs
②	BOLT M0.3"X3.3"=2 pcs
③	BOLT M0.3"X0.8"=2 pcs
④	BOLT M0.3"X2.2"=2 pcs
⑤	BOLT M0.3"X2.4"=4 pcs
⑥	BOLT M0.3"X1.2"=4 pcs
⑦	WASHER φ 0.3"=16 pcs
⑧	CUSHION φ 0.3"=16 pcs
⑨	NUT M0.3"=16 pcs

MADE IN CHINA