

Wheelbarrow Assembly Instructions

marathon

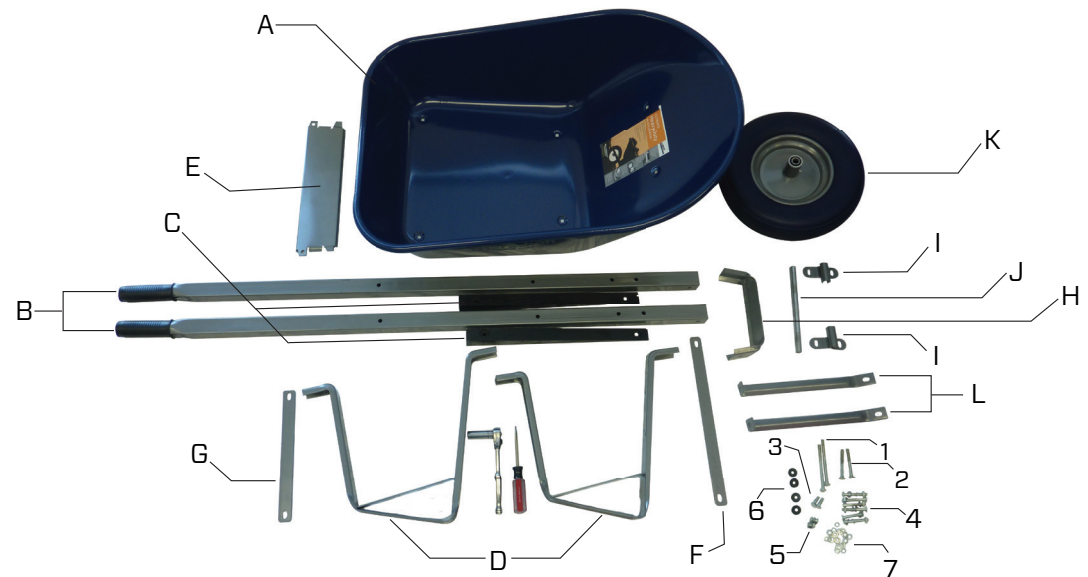
Parts Included

# - Description	(Qty.)
A - Tray	(1)
B - Handles	(2)
C - Wedges	(2)
D - Legs	(2)
E - Leg Brace	(1)
F - Long Cross Brace	(1)
G - Short Cross Brace	(1)
H - Nose Guard	(1)
I - Axle Bracket	(2)
J - Axle	(1)
K - Wheel	(1)
L - Tray Brace	(2)
M - Hardware Set	(1)
1 - Bolt 4 3/4"	2pcs
2 - Bolt 3 1/4"	2pcs
3 - Bolt 3/4"	2pcs
4 - Bolt 1/4"	6pcs
5 - Screw 3/4"	2pcs
6 - Lock Washer	14pcs
7 - Flat Washer	14pcs
8 - Nut	14pcs

Lay out all of the wheelbarrow components to confirm the parts list is complete.

Tools Required: adjustable wrenches or metric socket (preferably) and a flat screwdriver.

***Note:** Bolts are installed with flat washer, lock washer and nut, in that order.



Steps



1 Place tray (A) upside down onto a table or stand. Insert the carriage bolts* (1, 2) from the inside of the tray through the square tray holes. Rubber washers can be used to hold carriage bolts in place. The long carriage bolts (1) go toward the front. Attach the tray braces (L) to the front of the tray using the short carriage bolts (3). Do not tighten.



2 Place the wedges (C) over the carriage bolts with the counter bores next to the tray and thicker end toward the front. Put the handles (B) over the wedges with the carriage bolts coming all the way through the handle.



IMPORTANT INFORMATION:

If you are missing any parts, **do not** return to the retailer. Please contact the manufacturer at: Marathon Industries, Inc. | Toll Free Number - 1 (877) 425-1640 | Email - sales@marathonind.com Visit www.marathonind.com for additional instructions



3 Place the short (G) and long cross braces (F) over the carriage bolts.



4 Preassemble the legs (D) by inserting the tab on the brace (E) through the slots in the legs. Lightly tighten the screws (5).



5 Attach preassembled legs to the carriage bolts and lightly tighten the nuts (8).



6 Attach nose guard (H) to the end of the handles.



7 Assemble the wheel by placing the axle (J) through the hub of the wheel. Next place the two axle brackets (I) on the end of the axle. Center the wheel (K) assembly with the axle brackets snug against the hub. Attach the axle brackets with the bolts (4) through the tray braces and handles. Tighten all bolts to complete the assembly.



IMPORTANT INFORMATION:

If you are missing any parts, **do not** return to the retailer. Please contact the manufacturer at: Marathon Industries, Inc. | Toll Free Number - 1 (877) 425-1640 | Email - sales@marathonind.com
Visit www.marathonind.com for additional instructions